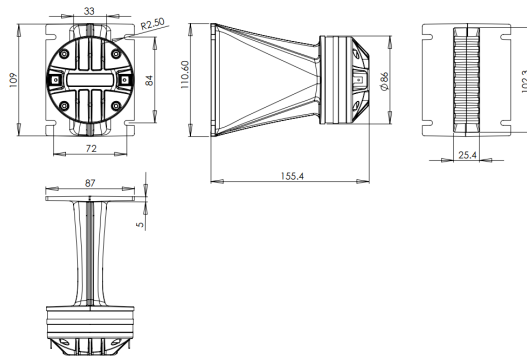


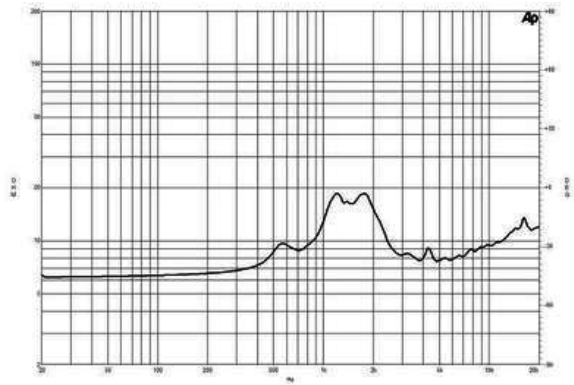
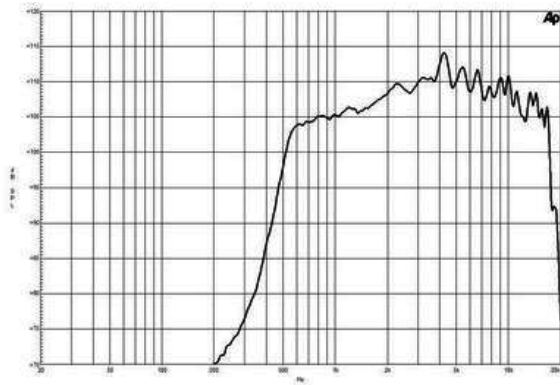
# WG400

**8Ω****Line Array Sources - 1.0 Inches**

- Line Array optimized Waveguide with DE400 driver
- 140° max horizontal coverage
- 100 W continuous program power capacity
- 44 mm (1.7 in) aluminium voice coil
- Polyimide diaphragm
- 1200 - 18000 Hz response
- 108.5 dB sensitivity
- Compact Neodymium magnet assembly

## DESCRIPTION

Wave guide horn not sold separately - Not available in the USA



### SPECIFICATIONS

Horizontal Coverage	140 ° Max
Active Radiating Factor	92.5 %
Recommended Crossover <sup>1</sup>	1.5 kHz
Waveguide Material	Cast Aluminium
Nominal Impedance	8 Ω
Minimum Impedance	7.7 Ω
Nominal Power Handling <sup>2</sup>	50 W
Continuous Power Handling <sup>3</sup>	100 W
Sensitivity <sup>4</sup>	108.5 dB
Frequency Range <sup>5</sup>	1 - 18 kHz
Voice Coil Diameter	44 mm (1.7 in)
Winding Material	Aluminium
Diaphragm Material	Polyimide
Flux Density	1.8 T
Magnet Material	Neodymium Ring

### MOUNTING AND SHIPPING INFO

Exit Size	102x25 mm (4x1 in)
Driver Diameter	86 mm (3.3 in)
Dimensions	111x87x155 mm (4.4x3.5x6.1 in)
Net Weight	1.3 kg (2.9 lb)
Shipping Units	1
Shipping Weight	1.35 kg (3.0 lb)
Shipping Box	120x95x180 mm (4.7x3.7x7.1 in)

1. 12 dB/oct. Or higher slope high-pass filter.
2. 2 hour test made with continuous pink noise signal (6 dB crest factor) within the range from the recommended crossover frequency to 20 kHz. Power calculated on rated minimum impedance.
3. Power on Continuous Program is defined as 3 dB greater than the Nominal rating.
4. Applied RMS Voltage is set to 2.83 V for 8 ohms Nominal Impedance.
5. Waveguide mounted on 90°x10° bell horn