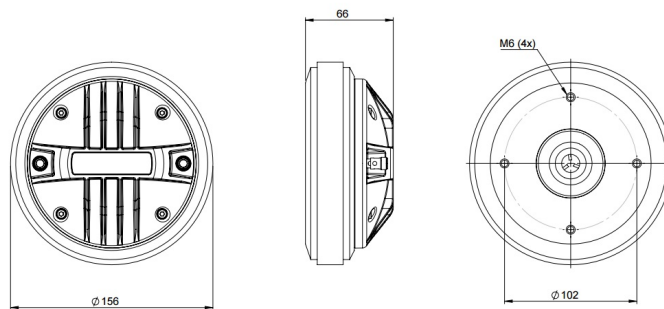


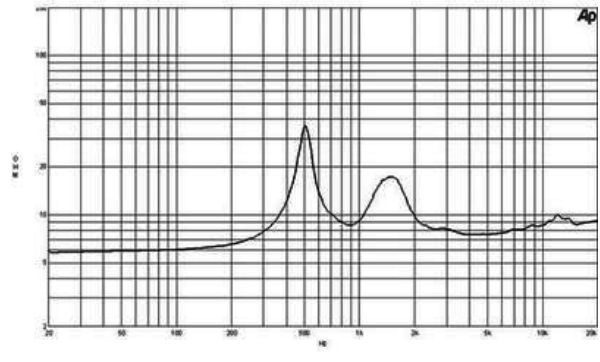
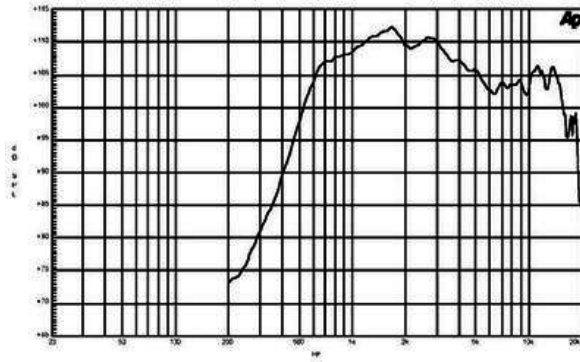
DE64TN

8Ω**HF Drivers - 2.0 Inches**

- 220 W continuous program power capacity
- 2" horn throat diameter
- 75 mm (3 in) aluminium voice coil
- 500 - 18000 Hz response
- 107.5 dB sensitivity
- Shorting copper cap for extended HF response

DE64TN

HF Drivers- 2.0 Inches



SPECIFICATIONS¹

Throat Diameter	50 mm (2.0 in)
Nominal Impedance	8 Ω
Minimum Impedance	8.4 Ω
Nominal Power Handling ²	110 W
Continuous Power Handling ³	220 W
Sensitivity ⁴	107.5 dB
Frequency Range	1 - 18 kHz
Recommended Crossover ⁵	1.0 kHz
Voice Coil Diameter	75 mm (3.0 in)
Winding Material	Aluminium
Inductance	0.14 mH
Diaphragm Material	Titanium
Flux Density	1.6 T
Magnet Material	Ferrite

MOUNTING AND SHIPPING INFO

Four M6 holes 90° on 102 mm (4 in) diameter	
Overall Diameter	156 mm (6.1 in)
Depth	66 mm (2.6 in)
Net Weight	4.1 kg (9.0 lb)
Shipping Units	2
Shipping Weight	8.8 kg (19.3 lb)
Shipping Box	210x210x190 mm (8.3x8.3x7.5 in)

REPLACEMENT DIAPHRAGM

MMD064TN8

1. Driver mounted on B&C ME 90 horn.
2. 2 hour test made with continuous pink noise signal (6 dB crest factor) within the range from the recommended crossover frequency to 20 kHz. Power calculated on rated minimum impedance.
3. Power on Continuous Program is defined as 3 dB greater than the Nominal rating.
4. Applied RMS Voltage is set to 2.83 V for 8 ohms Nominal Impedance.
5. 12 dB/oct. or higher slope high-pass filter.