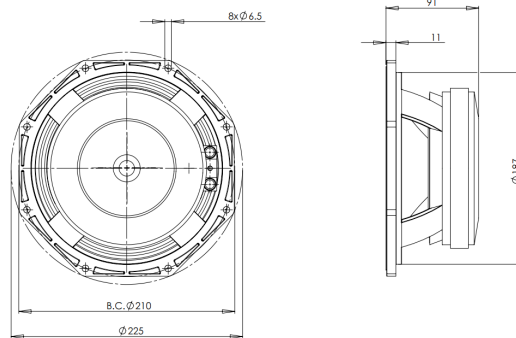


8PE21

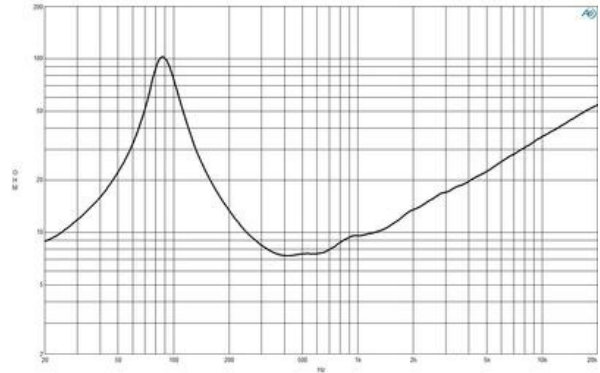
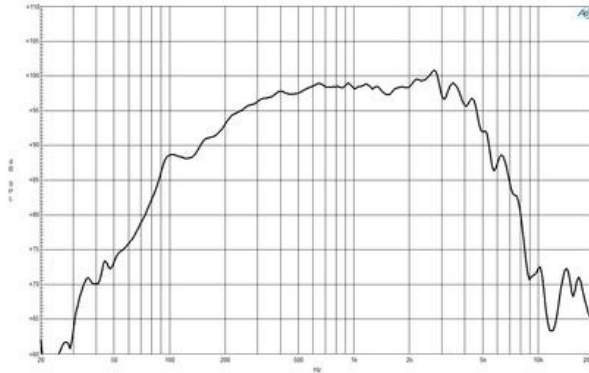
8Ω**LF Drivers - 8.0 Inches**

- 400 W continuous program power capacity
- 51 mm (2 in) copper voice coil
- 90 - 5000 Hz response
- 98 dB sensitivity



8PE21

LF Drivers- 8.0 Inches



SPECIFICATIONS

Nominal Diameter	200 mm (8.0 in)
Nominal Impedance	8 Ω
Minimum Impedance	7.2 Ω
Nominal Power Handling ¹	200 W
Continuous Power Handling ²	400 W
Sensitivity ³	98.0 dB
Frequency Range	90 - 5000 Hz
Voice Coil Diameter	51 mm (2.0 in)
Winding Material	Copper
Former Material	Kapton
Winding Depth	9 mm (0.37 in)
Magnetic Gap Depth	8 mm (0.31 in)
Flux Density	1.25 T

DESIGN

Surround Shape	Triple Roll
Cone Shape	Radial
Magnet Material	Ferrite
Spider	Single
Pole Design	Straight Pole
Woofer Cone Treatment	None

PARAMETERS⁴

Resonance Frequency	87 Hz
Re	5.6 Ω
Qes	0.2
Qms	3.8
Qts	0.19
Vas	13.0 dm ³ (0.46 ft ³)
Sd	220.0 cm ² (34.1 in ²)
η_0	4.1 %
Xmax	3.5 mm
Xvar	4.5 mm
Mms	18 g
Bl	16.6 Txm
Le	0.5 mH
EBP	435 Hz

MOUNTING AND SHIPPING INFO

Overall Diameter	225 mm (8.86 in)
Bolt Circle Diameter	210 mm (8.27 in)
Baffle Cutout Diameter	187.0 mm (7.36 in)
Depth	91 mm (3.58 in)
Flange and Gasket Thickness	11 mm (0.43 in)
Air Volume Occupied by Driver	1.2 dm ³ (0.04 ft ³)
Net Weight	4.2 kg (9.26 lb)
Shipping Units	1
Shipping Weight	4.6 kg (10.14 lb)
Shipping Box	260x260x160 mm (10.24x10.24x6.30 in)

SERVICE KIT

RCK008PE218

- 2 hours test made with continuous pink noise signal (6 dB crest factor) within the range Fs-10Fs. Power calculated on rated minimum impedance. Loudspeaker in free air.
- Power on Continuous Program is defined as 3 dB greater than the Nominal rating.
- Applied RMS Voltage is set to 2.83 V for 8 ohms Nominal Impedance.
- Thiele-Small parameters are measured after a high level 20 Hz sine wave preconditioning test.