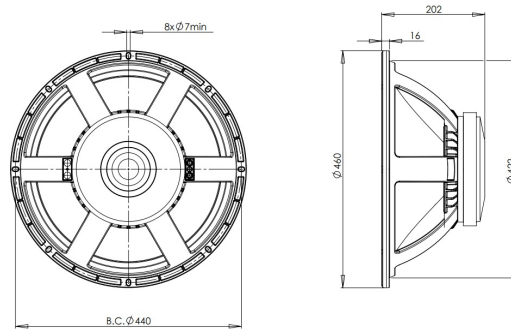


18PZB100

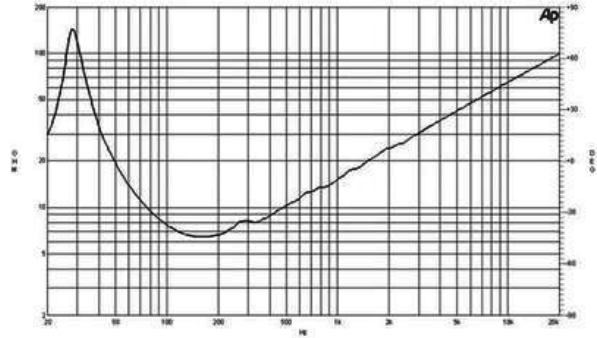
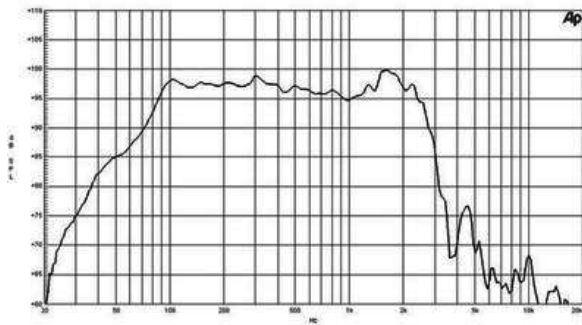
8Ω**LF Drivers - 18.0 Inches**

- 1400 W continuous program power capacity
- 100 mm (4 in) copper voice coil
- 40 - 2000 Hz response
- 97 dB sensitivity
- Double silicone spider with optimized compliance



18PZB100

LF Drivers- 18.0 Inches



SPECIFICATIONS

Nominal Diameter	460 mm (18.0 in)
Nominal Impedance	8 Ω
Minimum Impedance	6.5 Ω
Nominal Power Handling ¹	700 W
Continuous Power Handling ²	1400 W
Sensitivity ³	97.0 dB
Frequency Range	40 - 2000 Hz
Voice Coil Diameter	100 mm (4.0 in)
Winding Material	Copper
Former Material	Glass Fibre
Winding Depth	21 mm (0.83 in)
Magnetic Gap Depth	8 mm (0.31 in)
Flux Density	1.15 T

DESIGN

Surround Shape	Double Roll
Cone Shape	Exponential
Magnet Material	Ferrite
Spider	Double Silicone
Pole Design	Straight Pole
Woofer Cone Treatment	TWP Waterproof Both Sides
Recommended Enclosure	160.0 dm ³ (5.65 ft ³)
Recommended Tuning	39 Hz

PARAMETERS⁴

Resonance Frequency	30 Hz
Re	5.3 Ω
Qes	0.25
Qms	8.8
Qts	0.24
Vas	297.0 dm ³ (10.5 ft ³)
Sd	1134.0 cm ² (175.8 in ²)
η _o	3.1 %
X _{max}	8.0 mm
X _{var}	8.0 mm
M _{ms}	170 g
Bl	26.0 Txm
Le	2.1 mH
EBP	120 Hz

MOUNTING AND SHIPPING INFO

Overall Diameter	480 mm (18.0 in)
Bolt Circle Diameter	440 mm (17.3 in)
Baffle Cutout Diameter	422.0 mm (16.6 in)
Depth	202 mm (7.95 in)
Flange and Gasket Thickness	16 mm (0.62 in)
Air Volume Occupied by Driver	9.5 dm ³ (0.33 ft ³)
Net Weight	12.1 kg (26.6 lb)
Shipping Units	1
Shipping Weight	14.0 kg (30.8 lb)
Shipping Box	520x520x240 mm (20.5x20.5x9.4 in)

SERVICE KIT

RCK18PZB1008

- 2 hours test made with continuous pink noise signal (6 dB crest factor) within the range Fs-10Fs. Power calculated on rated minimum impedance. Loudspeaker in free air.
- Power on Continuous Program is defined as 3 dB greater than the Nominal rating.
- Applied RMS Voltage is set to 2.83 V for 8 ohms Nominal Impedance.
- Thiele-Small parameters are measured after a high level 20 Hz sine wave preconditioning test.

B&C Speakers s.p.a.

Via Poggiomoro, 1 - Loc. Vallina, 50012 Bagno a Ripoli (FI) - ITALY - Tel. +39 055 65721 - Fax +39 055 6572312 - mail@bcspeakers.com