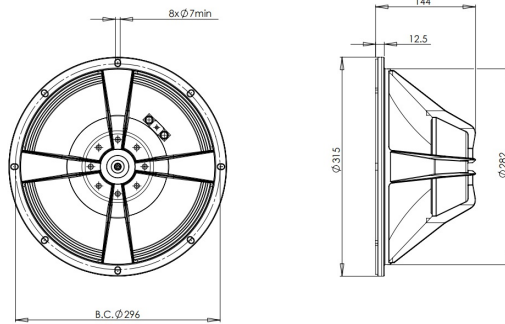


# 12HPL76

**8Ω**

LF Drivers - 12.0 Inches

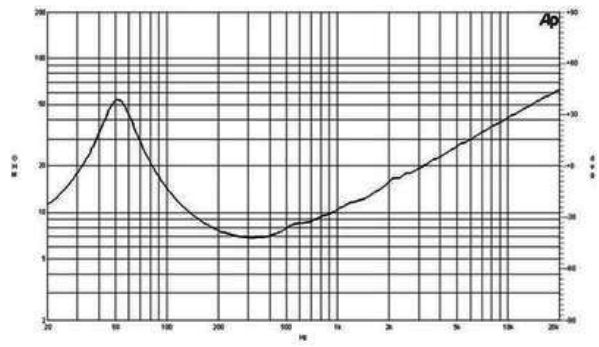
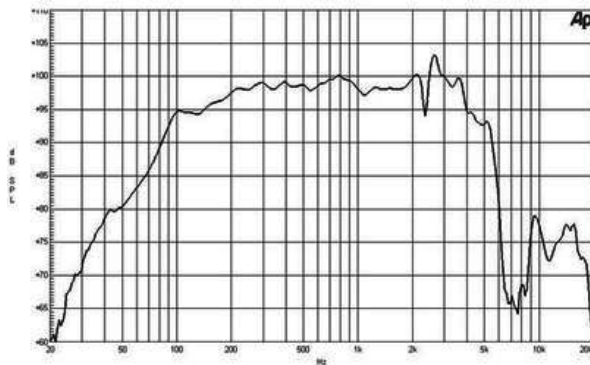


- 700 W continuous program power capacity
- 76 mm (3 in) aluminium voice coil
- 50 - 3500 Hz response
- 99 dB sensitivity
- Neodymium magnet allows a very light yet powerful motor assembly
- Ventilated voice coil gap for reduced power compression



# 12HPL76

## LF Drivers- 12.0 Inches



### SPECIFICATIONS

Nominal Diameter	320 mm (12.0 in)
Nominal Impedance	8 $\Omega$
Minimum Impedance	6.7 $\Omega$
Nominal Power Handling <sup>1</sup>	350 W
Continuous Power Handling <sup>2</sup>	700 W
Sensitivity <sup>3</sup>	99.0 dB
Frequency Range	50 - 3500 Hz
Voice Coil Diameter	76 mm (3.0 in)
Winding Material	Aluminium
Former Material	Glass Fibre
Winding Depth	18 mm (0.68 in)
Magnetic Gap Depth	10 mm (0.4 in)
Flux Density	1.15 T

### DESIGN

Surround Shape	Double Roll
Cone Shape	Exponential
Magnet Material	Neodymium Inside Slug
Spider	Single
Pole Design	Straight Pole
Woofer Cone Treatment	None
Recommended Enclosure	40.0 dm <sup>3</sup> (1.41 ft <sup>3</sup> )
Recommended Tuning	70 Hz

### PARAMETERS<sup>4</sup>

Resonance Frequency	49 Hz
Re	6.0 $\Omega$
Qes	0.26
Qms	2.5
Qts	0.25
Vas	91.0 dm <sup>3</sup> (3.2 ft <sup>3</sup> )
Sd	522.0 cm <sup>2</sup> (80.9 in <sup>2</sup> )
$\eta_0$	4.1 %
Xmax	4.0 mm
Xvar	5.5 mm
Mms	43 g
Bl	17.3 Txm
Le	1.5 mH
EBP	188 Hz

### MOUNTING AND SHIPPING INFO

Overall Diameter	315 mm (12.4 in)
Bolt Circle Diameter	296 mm (11.6 in)
Baffle Cutout Diameter	282.0 mm (11.1 in)
Depth	144 mm (5.7 in)
Flange and Gasket Thickness	13 mm (0.5 in)
Air Volume Occupied by Driver	0.0 dm <sup>3</sup> (0.0 ft <sup>3</sup> )
Net Weight	3.2 kg (7.0 lb)
Shipping Weight	3.9 kg (8.6 lb)
Shipping Box	380x380x170 mm (15x15x6.7 in)

### SERVICE KIT

RCK012HPL768

1. 2 hours test made with continuous pink noise signal (6 dB crest factor) within the range Fs-10Fs. Power calculated on rated minimum impedance. Loudspeaker in free air.
2. Power on Continuous Program is defined as 3 dB greater than the Nominal rating.
3. Applied RMS Voltage is set to 2.83 V for 8 ohms Nominal Impedance.
4. Thiele-Small parameters are measured after a high level 20 Hz sine wave preconditioning test.