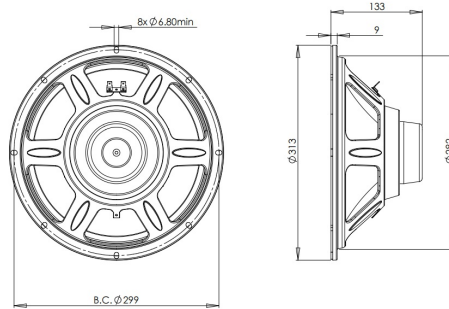


12CL64

8Ω

LF Drivers - 12.0 Inches

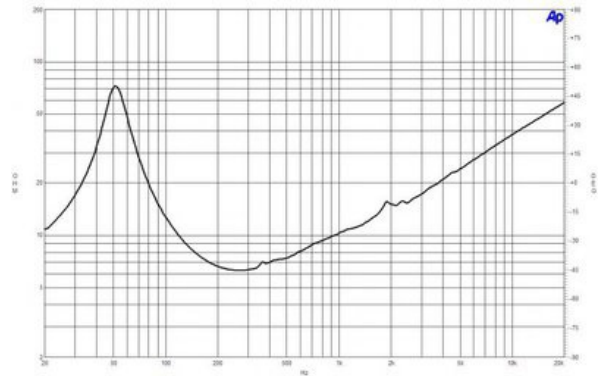
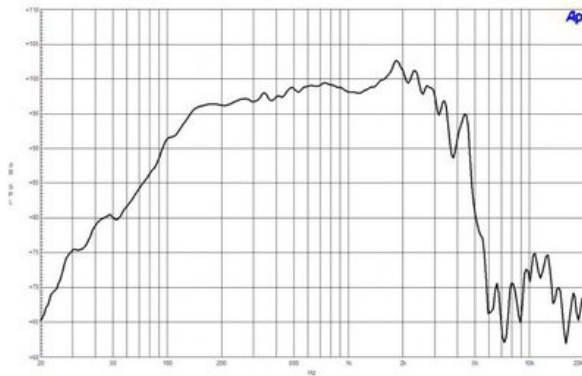


- 500 W continuous program power capacity
- 64 mm (2.5 in) copper voice coil
- 50 - 3000 Hz response
- 98 dB sensitivity



12CL64

LF Drivers- 12.0 Inches



SPECIFICATIONS

Nominal Diameter	320 mm (12.0 in)
Nominal Impedance	8 Ω
Minimum Impedance	6.3 Ω
Nominal Power Handling ¹	250 W
Continuous Power Handling ²	500 W
Sensitivity ³	98.0 dB
Frequency Range	50 - 3000 Hz
Voice Coil Diameter	64 mm (2.5 in)
Winding Material	Copper
Former Material	Glass Fibre
Winding Depth	13 mm (0.51 in)
Magnetic Gap Depth	8 mm (0.31 in)
Flux Density	1.15 T

DESIGN

Surround Shape	Double Roll
Cone Shape	Exponential
Magnet Material	Neodymium Inside Slug
Spider	Single
Pole Design	Straight Pole
Woofer Cone Treatment	WP Waterproof Front Side
Recommended Enclosure	40.0 dm ³ (1.41 ft ³)
Recommended Tuning	64 Hz

PARAMETERS⁴

Resonance Frequency	52 Hz
Re	5.5 Ω
Qes	0.32
Qms	4.3
Qts	0.3
Vas	64.0 dm ³ (2.25 ft ³)
Sd	522.0 cm ² (80.9 in ²)
η_0	3.4 %
Xmax	4.5 mm
Xvar	6.0 mm
Mms	55 g
Bl	17.5 Txm
Le	1.1 mH
EBP	162 Hz

MOUNTING AND SHIPPING INFO

Overall Diameter	313 mm (12.32 in)
Bolt Circle Diameter	299 mm (11.77 in)
Baffle Cutout Diameter	282.0 mm (11.1 in)
Depth	133 mm (5.24 in)
Flange and Gasket Thickness	9 mm (0.35 in)
Air Volume Occupied by Driver	2.0 dm ³ (0.07 ft ³)
Net Weight	1.9 kg (4.2 lb)
Shipping Weight	2.4 kg (5.3 lb)
Shipping Box	340x340x170 mm (13.4x13.4x6.7 in)

SERVICE KIT

RCK12CL648

1. 2 hours test made with continuous pink noise signal (6 dB crest factor) within the range Fs-10Fs. Power calculated on rated minimum impedance. Loudspeaker in free air.
2. Power on Continuous Program is defined as 3 dB greater than the Nominal rating.
3. Applied RMS Voltage is set to 2.83 V for 8 ohms Nominal Impedance.
4. Thiele-Small parameters are measured after a high level 20 Hz sine wave preconditioning test.