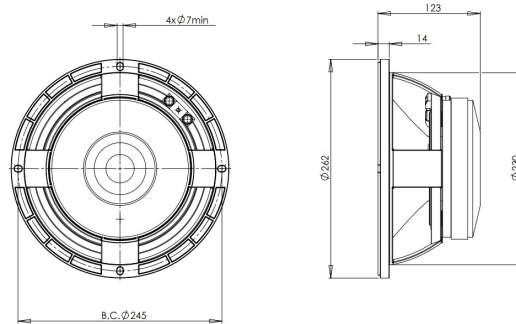


# 10PS26

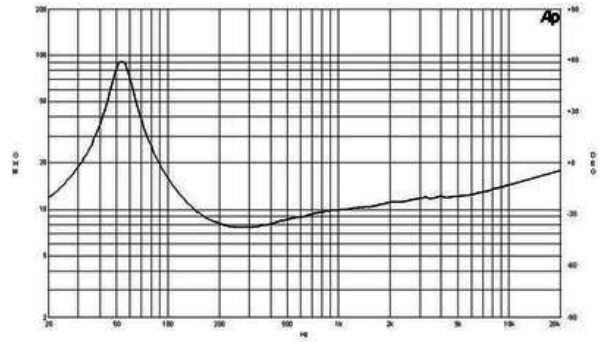
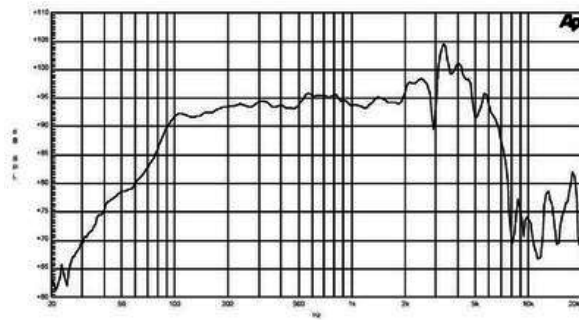
**8Ω****LF Drivers - 10.0 Inches**

- 700 W continuous program power capacity
- 76 mm (3 in) aluminium voice coil
- 55 - 4000 Hz response
- 96 dB sensitivity
- Shorting copper cap for extended HF response



# 10PS26

LF Drivers- 10.0 Inches



## SPECIFICATIONS

Nominal Diameter	250 mm (10.0 in)
Nominal Impedance	8 $\Omega$
Minimum Impedance	7.1 $\Omega$
Nominal Power Handling <sup>1</sup>	350 W
Continuous Power Handling <sup>2</sup>	700 W
Sensitivity <sup>3</sup>	96.0 dB
Frequency Range	55 - 4000 Hz
Voice Coil Diameter	76 mm (3.0 in)
Winding Material	Aluminium
Former Material	Glass Fibre
Winding Depth	18 mm (0.71 in)
Magnetic Gap Depth	10 mm (0.4 in)
Flux Density	0.9 T

## DESIGN

Surround Shape	Double Roll
Cone Shape	Exponential
Magnet Material	Ferrite
Spider	Single
Pole Design	T-Pole
Woofer Cone Treatment	None
Recommended Enclosure	25.0 dm <sup>3</sup> (0.88 ft <sup>3</sup> )
Recommended Tuning	65 Hz

## PARAMETERS<sup>4</sup>

Resonance Frequency	54 Hz
Re	6.0 $\Omega$
Qes	0.33
Qms	2.9
Qts	0.29
Vas	38.0 dm <sup>3</sup> (1.3 ft <sup>3</sup> )
Sd	320.0 cm <sup>2</sup> (49.1 in <sup>2</sup> )
$\eta_0$	1.8 %
Xmax	5.5 mm
Xvar	5.0 mm
Mms	33 g
Bl	14.1 Txm
Le	1.2 mH
EBP	163 Hz

## MOUNTING AND SHIPPING INFO

Overall Diameter	262 mm (10.3 in)
Bolt Circle Diameter	245 mm (9.6 in)
Baffle Cutout Diameter	230.0 mm (8.8 in)
Depth	123 mm (4.8 in)
Flange and Gasket Thickness	14 mm (0.55 in)
Air Volume Occupied by Driver	0.0 dm <sup>3</sup> (0.0 ft <sup>3</sup> )
Net Weight	6.0 kg (13.2 lb)
Shipping Weight	6.7 kg (14.7 lb)
Shipping Box	320x320x160 mm (12x12x6.3 in)

## SERVICE KIT

RCK010PS268

1. 2 hours test made with continuous pink noise signal (6 dB crest factor) within the range Fs-10Fs. Power calculated on rated minimum impedance. Loudspeaker in free air.
2. Power on Continuous Program is defined as 3 dB greater than the Nominal rating.
3. Applied RMS Voltage is set to 2.83 V for 8 ohms Nominal Impedance.
4. Thiele-Small parameters are measured after a high level 20 Hz sine wave preconditioning test.

**B&C Speakers s.p.a.**

Via Poggiomoro, 1 - Loc. Vallina, 50012 Bagno a Ripoli (FI) - ITALY - Tel. +39 055 65721 - Fax +39 055 6572312 - mail@bcspeakers.com