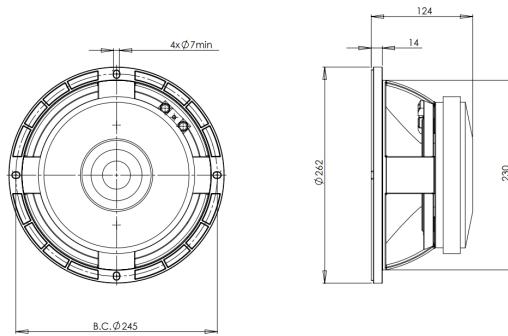


# 10PLB76

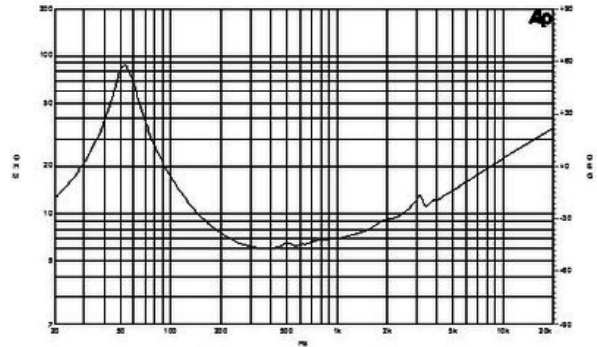
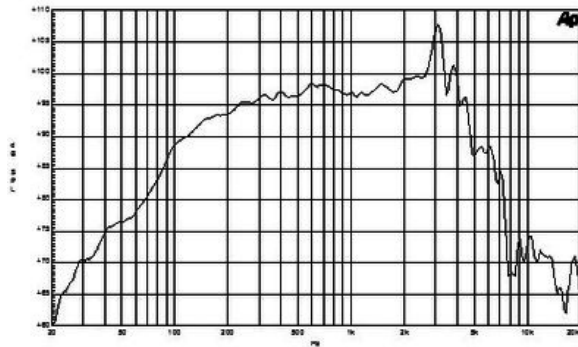
**8Ω****LF Drivers - 10.0 Inches**

- 800 W continuous program power capacity
- 76 mm (3 in) aluminium voice coil
- 50 - 2500 Hz response
- 98 dB sensitivity
- Aluminium demodulating ring allows a very low distortion figure



# 10PLB76

## LF Drivers- 10.0 Inches



### SPECIFICATIONS

Nominal Diameter	250 mm (10.0 in)
Nominal Impedance	8 Ω
Minimum Impedance	6.0 Ω
Nominal Power Handling <sup>1</sup>	400 W
Continuous Power Handling <sup>2</sup>	800 W
Sensitivity <sup>3</sup>	98.0 dB
Frequency Range	50 - 2500 Hz
Voice Coil Diameter	76 mm (3.0 in)
Winding Material	Aluminium
Former Material	Glass Fibre
Winding Depth	20 mm (0.79 in)
Magnetic Gap Depth	8 mm (0.33 in)
Flux Density	1.1 T

### DESIGN

Surround Shape	Double Roll
Cone Shape	Radial
Magnet Material	Ferrite
Spider	Single
Pole Design	T-Pole
Woofer Cone Treatment	None

### PARAMETERS<sup>4</sup>

Resonance Frequency	52 Hz
Re	4.8 Ω
Qes	0.2
Qms	3.4
Qts	0.19
Vas	31.0 dm <sup>3</sup> (1.09 ft <sup>3</sup> )
Sd	320.0 cm <sup>2</sup> (49.6 in <sup>2</sup> )
η <sub>o</sub>	2.2 %
Xmax	6.0 mm
Xvar	7.0 mm
Mms	43 g
Bl	18.4 Txm
Le	0.32 mH
EBP	260 Hz

### MOUNTING AND SHIPPING INFO

Overall Diameter	262 mm (10.31 in)
Bolt Circle Diameter	245 mm (9.65 in)
Baffle Cutout Diameter	230.0 mm (9.06 in)
Depth	124 mm (4.88 in)
Flange and Gasket Thickness	14 mm (0.55 in)
Air Volume Occupied by Driver	2.6 dm <sup>3</sup> (0.09 ft <sup>3</sup> )
Net Weight	7.3 kg (16.09 lb)
Shipping Weight	7.9 kg (17.42 lb)
Shipping Box	330x330x160 mm (12.99x12.99x6.30 in)

### SERVICE KIT

RCK10PLB768

1. 2 hours test made with continuous pink noise signal (6 dB crest factor) within the range Fs-10Fs. Power calculated on rated minimum impedance. Loudspeaker in free air.
2. Power on Continuous Program is defined as 3 dB greater than the Nominal rating.
3. Applied RMS Voltage is set to 2.83 V for 8 ohms Nominal Impedance.
4. Thiele-Small parameters are measured after a high level 20 Hz sine wave preconditioning test.