

# WAF153.03

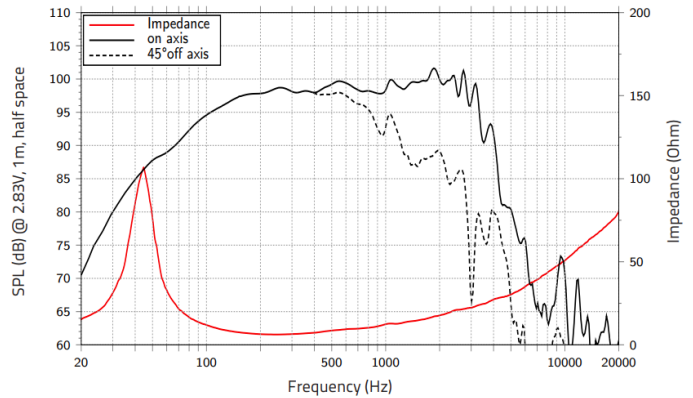
Lavoce

## 15" WOOFER

FERRITE MAGNET  
ALUMINIUM BASKET DRIVER



- 3 INCH COPPER VOICE COIL
- 100,5 dB/SPL SENSITIVITY
- 1000 WATT PROGRAM POWER HANDLING
- FEM OPTIMIZED MOTOR AND SUSPENSIONS
- OPTIMIZED COOLING SYSTEM
- ALUMINIUM DEMODULATING RING



### GENERAL SPECIFICATIONS

Nominal Diameter	<b>380 mm (15 in)</b>
Nominal Impedance	<b>8 ohm</b>
Minimum Impedance	<b>6.2 ohm</b>
Program Power	<b>1000 W</b> Program power is defined as 3 dB greater than AES Power.
AES Power Rating	<b>500 W</b> Tested for two hours using a continuous, band-limited pink noise signal as per AES 2-1984 Rev. 2003. Loudspeaker tested in free air.
Sensitivity	<b>100.5 dB</b> From T/S parameters, measured with Klippel DA LPM module.
Frequency Range	<b>40 ÷ 3000 Hz</b>
Voice Coil Diameter	<b>75 mm (3 in)</b>
Chassis Material	<b>ALUMINIUM</b>
Magnet Material	<b>FERRITE</b>
Magnet Dimensions OD x ID x h	<b>210 x 90 x 25 mm (8.27 x 3.54 x 0.98 in)</b>
Coil Material	<b>COPPER</b>
Former Material	<b>GLASS FIBER</b>
Cone Material	<b>WATER RESISTANT TREATED PAPER + WATER PROOF FRONT SIDES TREATMENT</b>
Surround Material	<b>POLYCOTTON</b>
Xmax	<b>6.7 mm (0.26 in)</b> The Xmax is calculated as: $(H_{vc} - H_g)/2 + H_g/4$ . Hvc is the voice coil height and Hg the gap height.
Xmech	<b>13 mm (0.51 in)</b> The Xmech is calculated as: $(H_{vc} - H_g)/2 + (H_g - 2)$ . Hvc is the voice coil height and Hg the gap height.
Gap Height	<b>11 mm (0.43 in)</b>
Voice Coil Winding Height	<b>19 mm (0.75 in)</b>
Driver Displacement Volume	<b>5 l (0.177 ft³)</b>
Recommended Enclosure	<b>70 l (2.472 ft³)</b>
Recommended Tuning	<b>59 Hz</b>

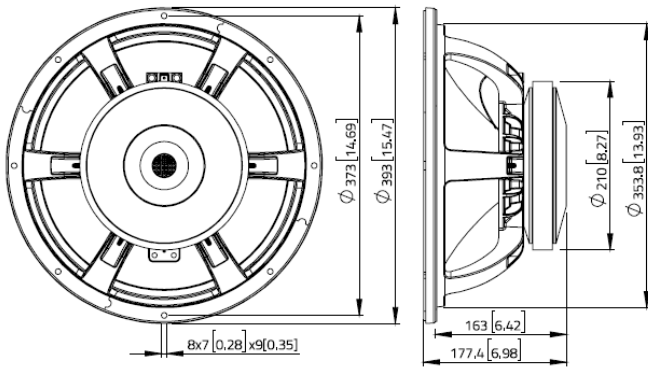
### SMALL SIGNAL PARAMETERS

Thiele-Small parameters are measured after preconditioning: a) at 20°C- 22°C, 50% humidity for 2 hours; b) by Klippel LSI measurement.

DC Resistance (Re)	<b>5.2 ohm</b>
--------------------	----------------

Diaphragm Area (Sd)	<b>855 cm<sup>2</sup> (132.525 in<sup>2</sup>)</b>
Resonance Frequency (Fs)	<b>44 Hz</b>
Moving Mass (Mms)	<b>106.5 g (3.757 oz)</b>
Compliance (Cms)	<b>0.123 mm/N</b>
Force Factor (BxL)	<b>25.26 N/A</b>
Mechanical Q-Factor (Qms)	<b>4.93</b>
Electrical Q-Factor (Qes)	<b>0.24</b>
Total Q-Factor (Qts)	<b>0.23</b>
Equivalent Air Volume (Vas)	<b>127 l (4.485 ft<sup>3</sup>)</b>
Voice Coil Inductance (Le)	<b>1.09 mH</b>
Reference Efficiency (Eta 0)	<b>4.32 %</b>
Efficiency Bandwidth Product (EBP)	<b>183 Hz</b>

## DIMENSIONS



## SHIPPING INFORMATION

Net Weight	<b>10.7 kg (23.589 lb)</b>
Multipack Quantity	<b>1</b>
Multipack size W x D x H	<b>422 mm x 422 mm x 223 mm (16.6 in x 16.6 in x 8.8 in)</b>
Multipack Weight	<b>12.4 kg (27.34 lb)</b>

