

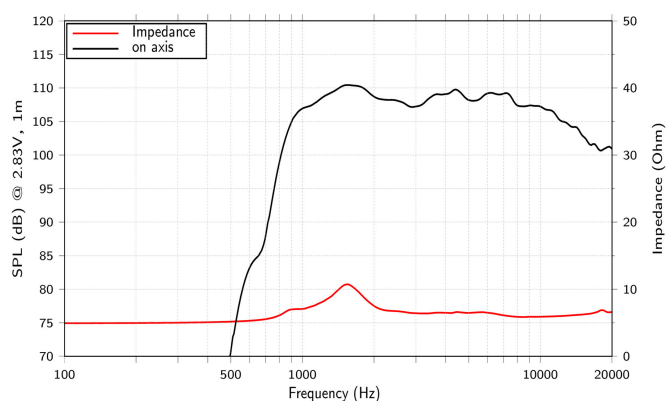
# DF10.103M

Lavoce

## 1" COMPRESSION DRIVER

FERRITE MAGNET

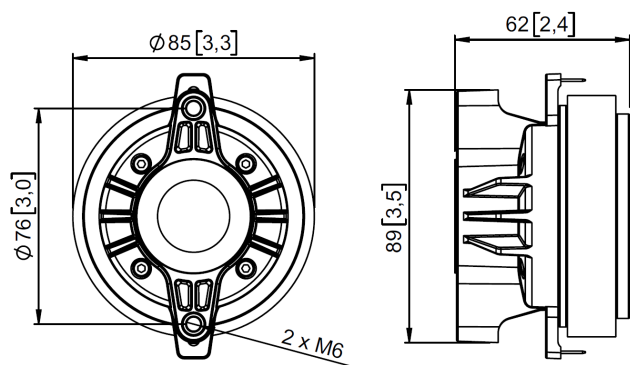
- 1 INCH CCAW VOICE COIL
- 109 dB/SPL SENSITIVITY
- 50 W PROGRAM POWER HANDLING
- FEM OPTIMIZED MOTOR, PHASEPLUG AND DIAPHRAGM
- 1200 - 20000 Hz FREQUENCY RANGE
- POLYESTER DIAPHRAGM AND SURROUND
- ANNULAR DIAPHRAGM DESIGN
- HIGH SENSITIVITY WITH LOW DISTORTION
- EXTENDED LOW FREQUENCY TO 1900 Hz



### GENERAL SPECIFICATIONS

Throat Diameter	<b>25.4 mm (1 in)</b>
Nominal Impedance	<b>8 ohm</b>
Minimum Impedance	<b>6 ohm</b>
Program Power	<b>50 W</b> Program power is defined as 3 dB greater than AES Power.
AES Power Rating	<b>25 W</b> Horn loaded test for 2h with continuous, band-limited (1900-20000 Hz, 12dB/oct.) pink noise as per AES 2-1984 Rev. 2003.
Sensitivity	<b>109 dB</b> Measured on axis at 2.83V, 1m, driver loaded with HD1003 horn, SPL averaged in the frequency range 1200 ÷ 20000 Hz.
Frequency Range	<b>1200 ÷ 20000 Hz</b>
Voice Coil Diameter	<b>25.4 mm (1 in)</b>
Magnet Material	<b>FERRITE</b>
Coil Material	<b>CCA W</b>
Former Material	<b>KAPTON</b>
Diaphragm Geometry	<b>ANNULAR</b>
Diaphragm	<b>POLYESTER</b>
Surround Material	<b>POLYESTER</b>
Magnet OD	<b>85 mm (3.35 in)</b>
Voice Coil Inductance	<b>0.035 mH</b>
Flux Density	<b>1.75 T</b>
Recommended Crossover	<b>1900 Hz</b> High pass filter with slope 12dB/oct. or higher.
Driver Displacement Volume	<b>0.2 l (0.007 ft³)</b>

### DIMENSIONS



## SHIPPING INFORMATION

Net Weight	<b>0.82 kg (1.808 lb)</b>
Multipack Quantity	<b>18</b>
Multipack size W x D x H	<b>411 mm x 375 mm x 188 mm (16.2 in x 14.8 in x 7.4 in)</b>
Multipack Weight	<b>16.8 kg (37.04 lb)</b>

