

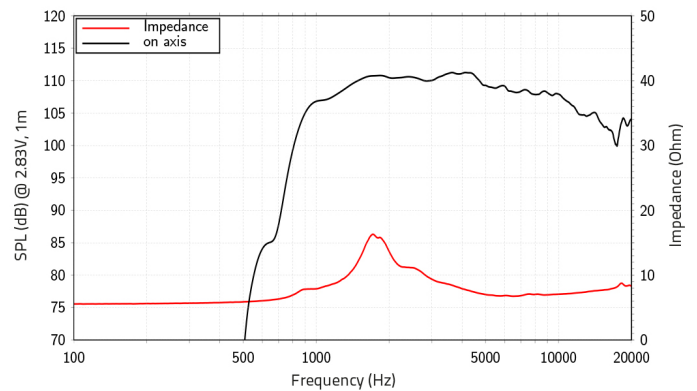
DN10.143

Lavoce

1" COMPRESSION DRIVER

NEODYMIUM MAGNET

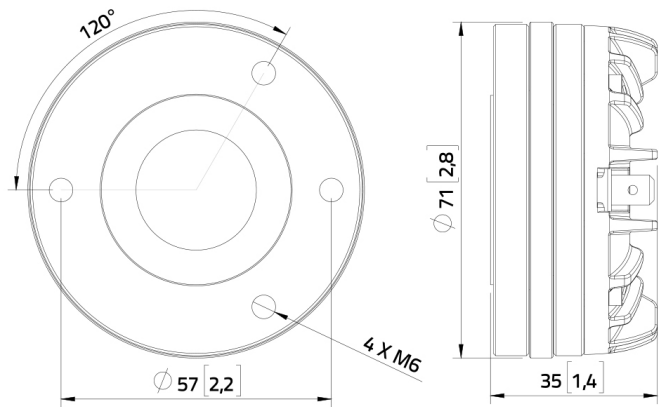
- 1.4 INCH EDGEWOUND CCA VOICE COIL
- 110 dB/SPL SENSITIVITY
- 70 W PROGRAM POWER HANDLING
- FEM OPTIMIZED MOTOR, PHASEPLUG AND DIAPHRAGM
- 1200 - 20000 Hz FREQUENCY RANGE
- HIGH TEMPERATURE POLYMER DIAPHRAGM AND SURROUND
- ANNULAR DIAPHRAGM DESIGN
- HIGH SENSITIVITY WITH LOW DISTORTION
- EXTENDED LOW FREQUENCY TO 1800 Hz



GENERAL SPECIFICATIONS

Throat Diameter	25.4 mm (1 in)
Nominal Impedance	8 ohm
Minimum Impedance	7 ohm
Program Power	70 W Program power is defined as 3 dB greater than AES Power.
AES Power Rating	35 W Horn loaded test for 2h with continuous, band-limited (1800-20000 Hz, 12dB/oct.) pink noise as per AES 2-1984 Rev. 2003.
Sensitivity	110 dB Measured on axis at 2.83V, 1m, driver loaded with HD1403 horn, SPL averaged in the frequency range 1200 ÷ 20000 Hz.
Frequency Range	1200÷20000 Hz
Voice Coil Diameter	38 mm (1.5 in)
Magnet Material	NEODYMIUM
Coil Material	EDGEWOUND CCA
Former Material	KAPTON
Diaphragm Geometry	ANNULAR
Diaphragm	HT POLYMER
Surround Material	HIGH TEMPERATURE POLYMER
Magnet OD	71 mm (2.8 in)
Voice Coil Inductance	0.05 mH
Flux Density	2 T
Recommended Crossover	1800 Hz High pass filter with slope 12dB/oct. or higher.
Driver Displacement Volume	0.09 l (0.003 ft³)

DIMENSIONS



SHIPPING INFORMATION

Net Weight	0.5 kg (1.102 lb)
Multipack Quantity	18
Multipack size W x D x H	355 mm x 183 mm x 174 mm (14 in x 7.2 in x 6.9 in)
Multipack Weight	11 kg (24.25 lb)

REPAIR KITS

HF Repair Kit	VRK73101
---------------	----------

